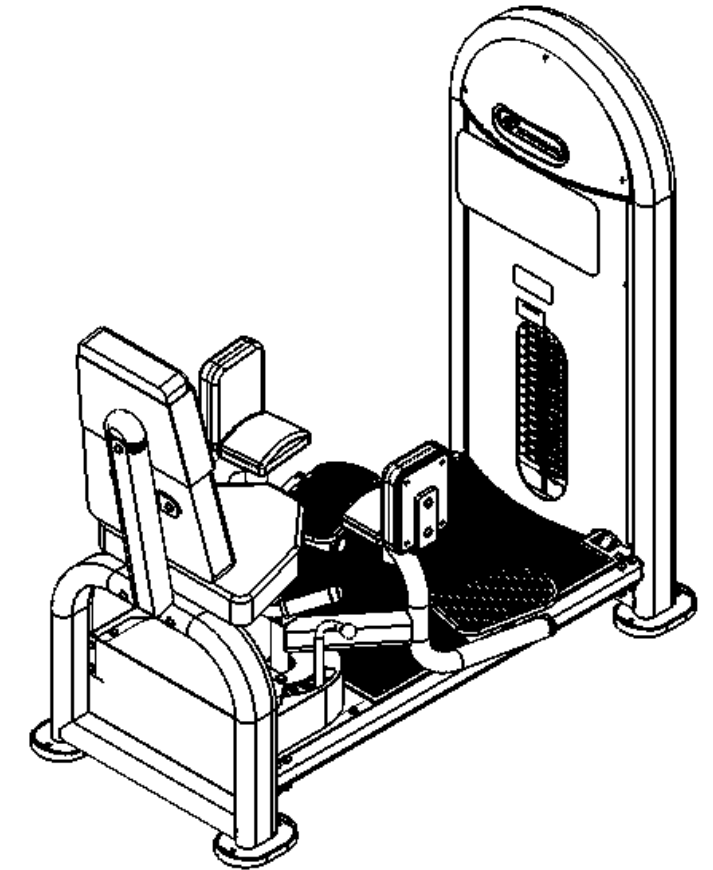
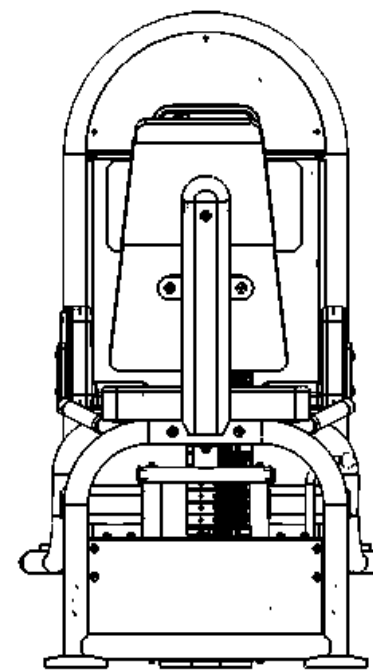
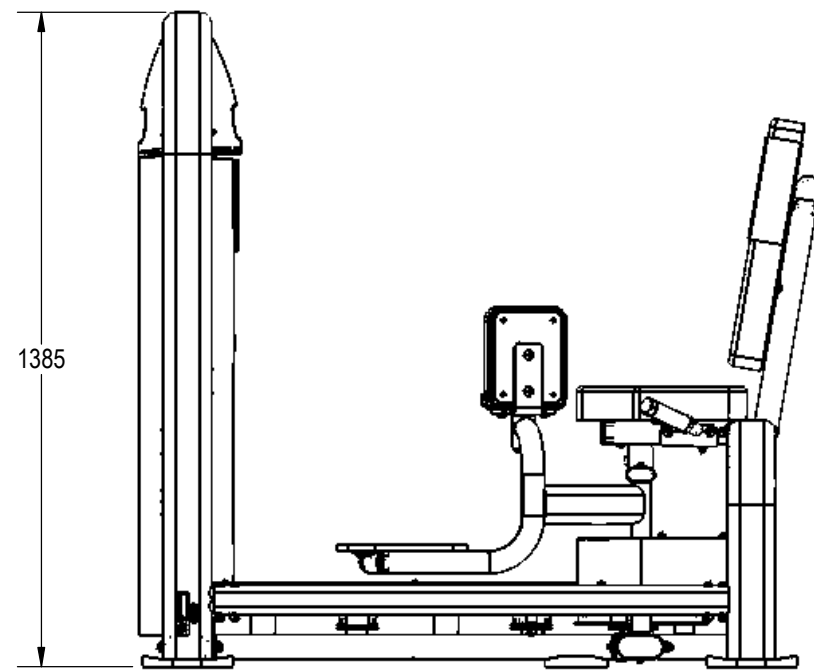
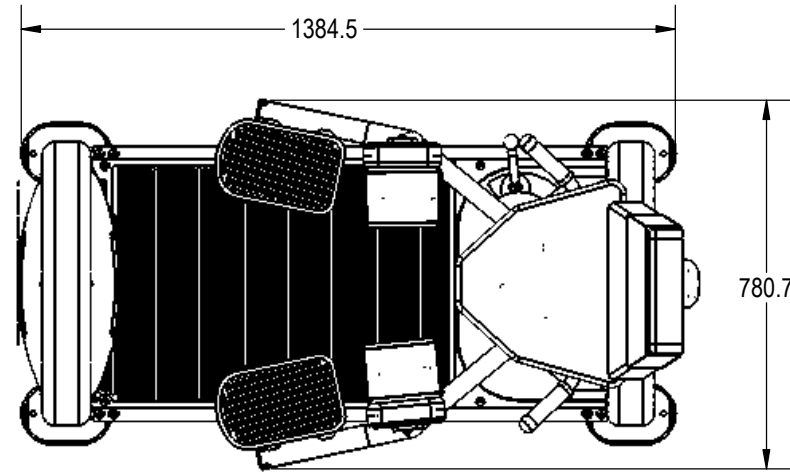


NOTES:

1. ASSEMBLE AND INSPECT PER SOP 620-7918.
2. INSTALL Kg STICKER AND AFFIX Lb STICKER TO INSIDE OF SHROUD WITH TAPE.
3. COLOR DICTATED BY THE SALES ORDER. REFERENCE THE MACHINES BOM FOR COMPONENTS CONTAINING -XX, -00XX AND -XXXX.
 - a. COLOR: -XX COLOR DESIGNATOR AS SPECIFIED IN SOP 620-8222.
 - b. THE -XX CAN RESULT IN ONE COLOR FOR THE METAL SHROUD AND A DIFFERENT COLOR FOR THE METAL FRAME ALSO WITH A -XX LISTED ON THE BOM.
 - c. THE -00XX IS THE COLOR DESIGNATOR FOR UPHOLSTERY.
 - d. THE 5TH DESIGNATOR: "X" WITHIN -XXXXX DEFINES THE HEAD STRAP OR CUSTOM PRODUCTS BRAND. THIS IS SPECIFIED ON SALES ORDERS.
 - e. THE -XXXXX IS CREATED BY COMBINING THE -XX, -00XX AND THE 5TH DESIGNATOR.
 - f. ALL X'S SHOULD BE DEFINED ON THE SALES ORDER.

REVISION HISTORY				
REV.	DATE	DESCRIPTION	ECO	BY
A	7/26/2016	INITIAL RELEASE	15467	AM



DOCUMENT STATUS:

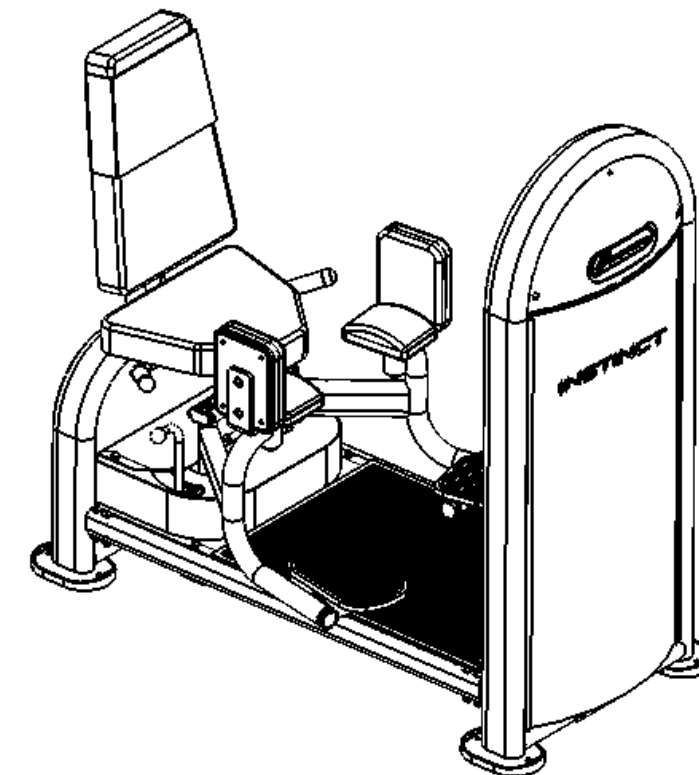
NOTICE OF PROPRIETARY INFORMATION
THIS DOCUMENT SHALL NOT BE REPRODUCED NOR SHALL THE INFORMATION CONTAINED HEREIN BE USED BY OR DISCLOSED TO OTHER EXCEPT AS EXPRESSLY AUTHORIZED BY CORE HEALTH & FITNESS, LLC.

CLASS OF WORK	UNLESS OTHERWISE SPECIFIED DIMS ARE IN mm. TOLERANCES FOR MEASURE OF LENGTH ARE:							ANGLES = ±2°
	0.5 to 3	> 3 to 6	> 6 to 30	> 30 to 120	> 120 to 400	> 400 to 1000	> 1000 to 2000	
FINE	±0.05	±0.05	±0.1	±0.15	±0.2	±0.3	±0.5	----
MEDIUM X	±0.1	±0.1	±0.2	±0.3	±0.5	±0.8	±1.2	±2
COARSE	±0.2	±0.3	±0.5	±0.8	±1.2	±2	±3	±4
VERY COARSE	----	±0.5	±1	±1.5	±2.5	±4	±6	±8

MATERIAL SEE BOM	THIRD ANGLE PROJECTION 	
FINISH SEE NOTES	DRAWN	INITIAL AM
VENDOR: N/A	CHECKED	DATE 07/26/16
P/N: N/A	APPROVED	U.O.M. MM

CORE HEALTH & FITNESS, LLC 4400 NE 77th Ave., Suite 300 Vancouver, WA 98662		
CORE PART NO	REV	
NL-D1015-29AGS	A	
TITLE NL,DSS,INNER/OUTER THIGHT,LNL		
SCALE: 1:25	SHEET 1 OF 3	SHEET SIZE: B

9				8				7				6				5				4				3				2				1																																																																																																																																																																																																																																																																																																																																																																																																																																																																																																																			
J				I				H				G				F				E				D				C				B				A																																																																																																																																																																																																																																																																																																																																																																																																																																																																																																															
ITEM NO.	PART NUMBER	DESCRIPTION	QTY.	ITEM NO.	PART NUMBER	DESCRIPTION	QTY.	ITEM NO.	PART NUMBER	DESCRIPTION	QTY.	ITEM NO.	PART NUMBER	DESCRIPTION	QTY.	ITEM NO.	PART NUMBER	DESCRIPTION	QTY.	ITEM NO.	PART NUMBER	DESCRIPTION	QTY.	ITEM NO.	PART NUMBER	DESCRIPTION	QTY.	ITEM NO.	PART NUMBER	DESCRIPTION	QTY.																																																																																																																																																																																																																																																																																																																																																																																																																																																																																																																				
1	050-5457	Label, S/N, Non-Powered, Primary, Core H&F	1	46	730-1104	NUT,M10,NYLON PATCH,SS	28	89	730-1448	BUMPER, STACK, 25.4MM	2	2	730-0199	CAP,TUBE,IN-7200	4	47	730-1108	SCREW, M10, BHC, HK, SS	1	90	730-1491	LABEL,INSTRUCTIONS,LOCK N LOAD	1	3	730-0216	PAD,FOOT,FRAME,WELDED	5	48	730-1109	SCREW,M10X80,BH,SS	2	91	730-7218-XXX	STICKER, PLACARD, INSTRUCTION, I/O THIGH, NAUT.	1	4	730-0223	CAP, LARGE, FRAME	1	49	730-1111	SCREW, M10x125, BHC, SS	4	92	731-0335	STICKER, MADE IN CHINA, IP	1	5	730-0233	SHROUD,REAR,IN-S5100	1	50	730-1112	SCREW, M10x130, BH, SS	4	93	731-7311	STICKER,NAUTILUS,DECO,45MMX191MM	2	6	730-0236	PIN, BELT ANCHOR	4	51	730-1118	SCREW, M10, BHC, HK, SS	7					7	730-0237	SCREW, M10x30, SHS,SS	4	52	730-1119	SCREW, M10x35, BH, SS	10					8	730-0240	SLEEVE,CARRIAGE	2	53	730-1121	SCREW,M10X45,BHC,SS	2					9	730-0241	HEAD STRAP, IN-D1013	1	54	730-1122	SCREW,M10X63,BHC,SS	9					10	730-0242	PAD,SEAT,IN-D1013	1	55	730-1123	SCREW,M10X70,BHC,SS	1					11	730-0243	PAD,BACK REST,IN-D1013	1	56	730-1137	SCREW, M8X15, BH, SS	8					12	730-0256	LEG,FRAME,END CAP	6	57	730-1138	SCREW,M8X20,BHC,SS	22					13	730-0257	INSERT,OVAL,IN-D1015	2	58	730-1155	SCREW, 10-32X3.2, SET	4					14	730-0260	PAD, BOTTOM LEG, IN-D1015	2	59	730-1179	WASHER,M8,LOCKING,SS	19					15	730-0261	PAD, SIDE LEG, IN-D1015	2	60	730-1324	SHROUD,LNL,D1015	1					16	730-0262	SUPPORT,STEPPER,IN-D1015	2	61	730-1367	WEIGHT STACK,FRAME	1					17	730-0263	SUPPORT,RUBBER BASE,IN-D1015	1	62	730-1368	ASSY,BACK,SUPPORT,FRAME	1					18	730-0266	PIVOT,PULLEY,ARM,END CAP	4	63	730-1369	ASSY,CENTER,CROSSBEAM	1					19	730-0384	LOGO,INSTINCT	1	64	730-1370	LEFT,SIDE RAIL	1					20	730-0385	LABEL,CAUTION,PINCH POINT	1	65	730-1371	RIGHT,SIDE RAIL	1					21	730-0565	CAP, END, HANDLE	2	66	730-1372	ASSY,LEFT,LEG,FRAME	1					22	730-0663	PULLEY 52MM	1	67	730-1373	ASSY,RIGHT,LEG,FRAME	1					23	730-0673	ISO 15 RBB - 1025 - 14,SI,NC,14_68	2	68	730-1374	ASSY,LEG,PAD,BRACKET	2					24	730-0675	BEARING,6205-12,SI,NC,12_68	2	69	730-1375	ASSY,SEAT,SUPPORT,FRAME	1					25	730-0679	STOPPER, IN-S1011	2	70	730-1376	ROTARY,CAM	1					26	730-0680	BELT,GUIDE,M19X39	2	71	730-1377	ROTARY CAM, PULLEY,BRACKET	1					27	730-0702	SHROUD,UPPER	2	72	730-1378	SUPPORT,PLATFORM,IN-D1015	1					28	730-0704	CAP, 25MM, ALUMINUM	2	73	730-1380	ASSY,PULLEY BRACKET	1					29	730-0721	PULLEY, 75MM	6	74	730-1381	ASSY,PIVOT,BRACE	1					30	730-0778	BELT, 15.5 FT LONG	1	75	730-1404	WSA-LNL,110LB,11H	1					31	730-0845	SHROUD,MOUNTING,U-STYLE,CLIP	6	76	730-1428	WEIGHT STACK GUIDE,RAIL	2					32	730-0858	BUSHING, 1.0, BRONZE	2	77	730-1430	SEAT,HANDLE,FRAME	1					33	730-0869	RETAINING RING,25MM ID,32MM OD	2	78	730-1432	SHROUD,TOP,BOX,COVER	1					34	730-0872	SCREW, M10x75, BH, SS	8	79	730-1433	SHROUD,BOX,REAR,COVER	1					35	730-0876	WASHER,M12,FENDER,SS	2	80	730-1434	SLEEVE,BEARING,M38X61	1					36	730-0890	SCREW,M8X25,SHS,SS	2	81	730-1435	SLEEVE,BUMPER,M25.4X39	1					37	730-0905	WASHER,M8,SPLIT,LOCK,SS	1	82	730-1436	SLEEVE,BEARING,M32X13	1					38	730-0907	WASHER,M10,SPLIT,LOCK,SS	3	83	730-1437	SLEEVE,BUMPER,M39X39	1					39	730-0908	WASHER,M10,FLAT,SS	72	84	730-1438	RETAINING,SNAP,RING,M ID 24 X OD 25.4	2					40	730-0910	WASHER,M8,BELLEVILLE,SS	33	85	730-1439	ADJUSTMENT,PLATE	1					41	730-0924	ASSY,ANGLE ADJUSTMENT,END KNOB	1	86	730-1440	SCREW,M12X55,BHC,SS	1					42	730-1016	SCREW, M10x25, BH, SS	3	87	730-1443	PIVOT,SHAFT,OD 25MM X 399M	2					43	730-1099	BUSHING,12MM IDX 13MM	6	88	730-1444	ADJUSTMENT,HANDLE,LEG	1					44	730-1102	NYLOC SELF LOCKING NUT, ST STL A2 ISO	1					45	730-1103	NUT,M8,NYLON PATCH,SS	2				

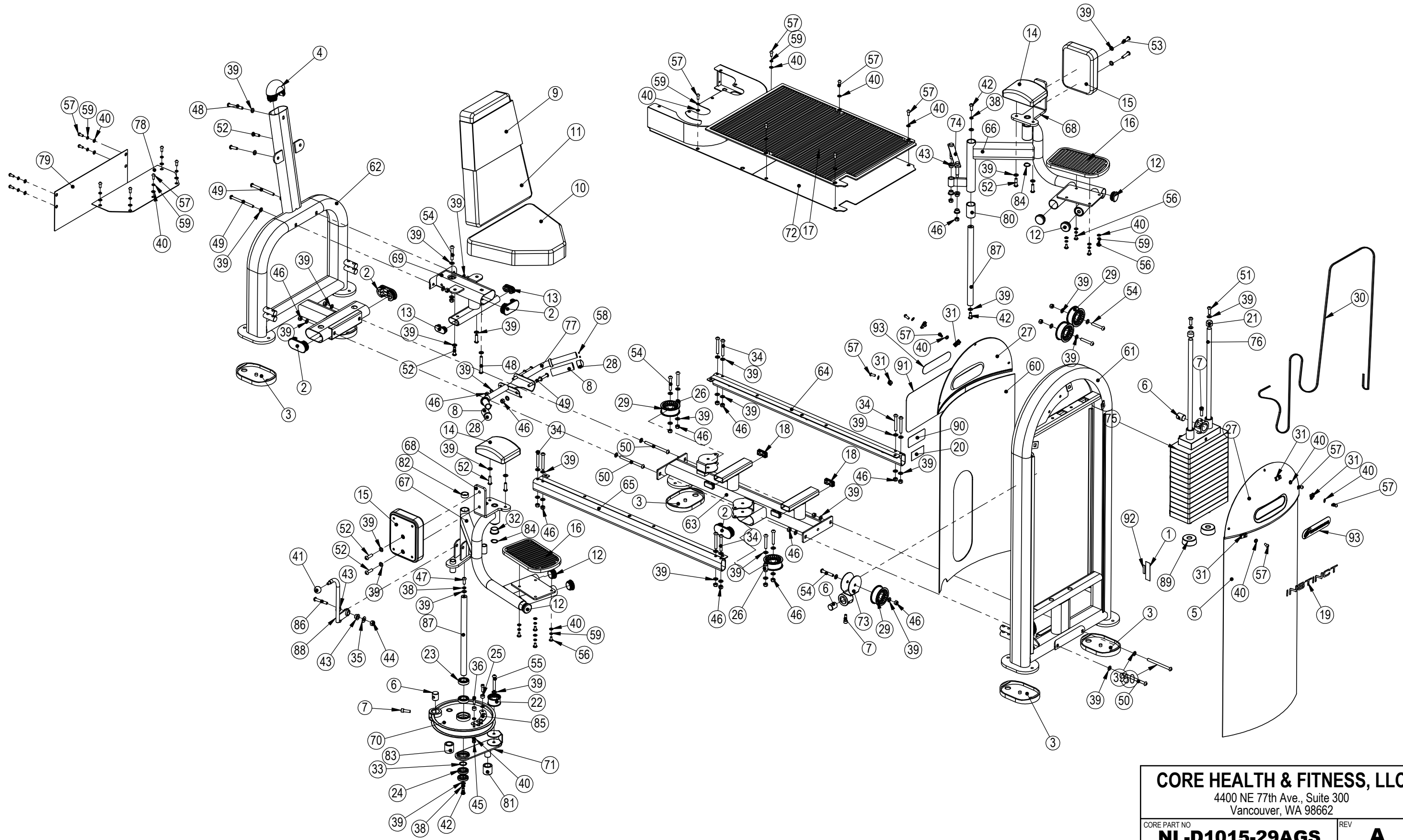


CORE HEALTH & FITNESS, LLC
4400 NE 77th Ave., Suite 300
Vancouver, WA 98662

CORE PART NO: **NL-D1015-29AGS** REV: **A**

TITLE: **NL,DSS,INNER/OUTER THIGHT,LNL**

SCALE: 1:25 SHEET 2 OF 3 SHEET SIZE: B



CORE HEALTH & FITNESS, LLC		
4400 NE 77th Ave., Suite 300 Vancouver, WA 98662		
CORE PART NO	REV	
NL-D1015-29AGS	A	
TITLE		
NL,DSS,INNER/OUTER THIGHT,LNL		
SCALE: 1:25	SHEET 3 OF 3	SHEET SIZE: B